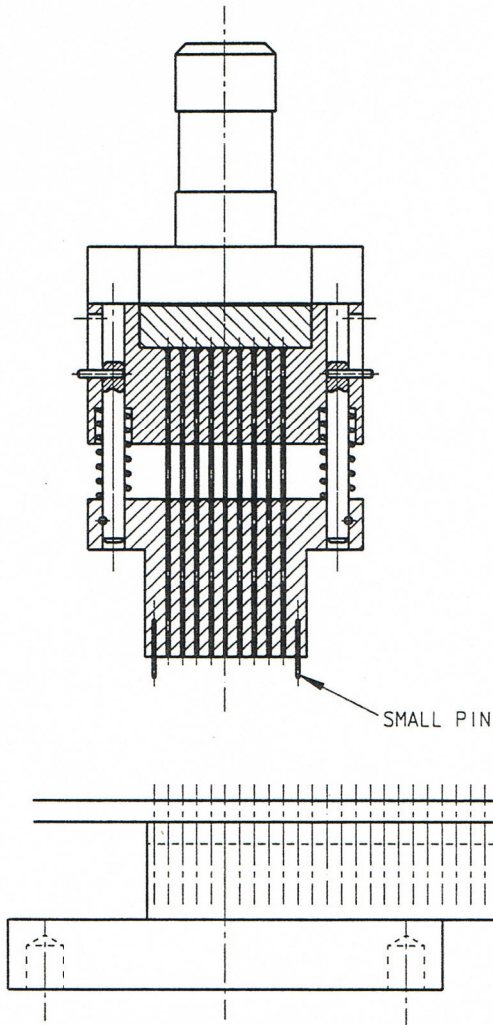


INSTRUCTION SHEET PAY245A10 / PAY245A11

PAY245A11

FOR SHORT CONTACTS

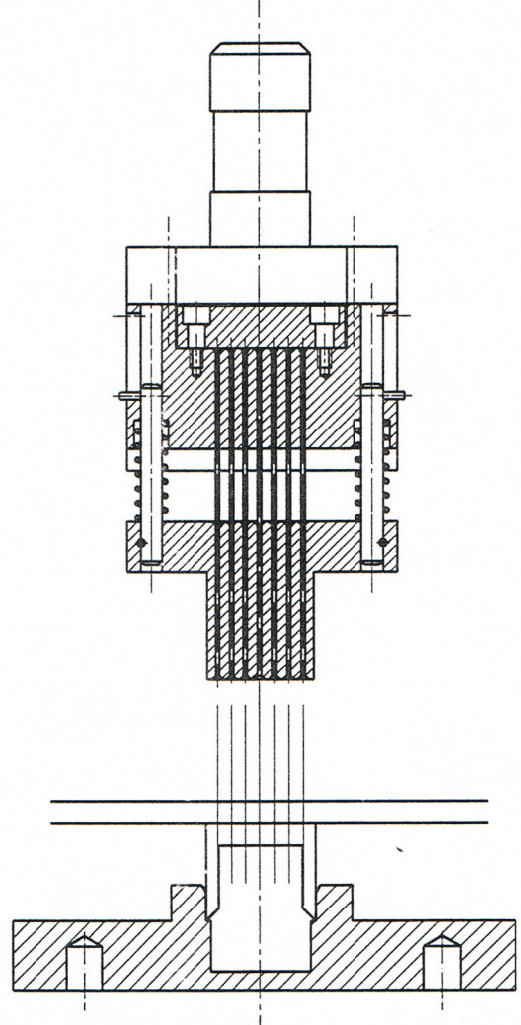
TO BE USED IN  
LONG DIRECTION



PAY245A10

FOR LONG CONTACTS

TO BE USED IN  
SHORT DIRECTION



LONG CONTACTPINS	SHORT CONTACTPINS	LONG CONTACTPINS AND SHORT CONTACTPINS
PAY245A10 **	PAY245A11 HM2Y197A *	PAY245A10 PAY245A11 (HM2Y197A)

\* HM2Y197A (REPAIRTOOL FOR SINGLE PIN):  
 - push out the contactpins in the row 1, 11, 15 and 25  
 - the tool PAY245A11 can now be lined up by inserting the 2 small pins in the empty holes.

\*\* PAY245A10 can directly be lined up over the contactpins.