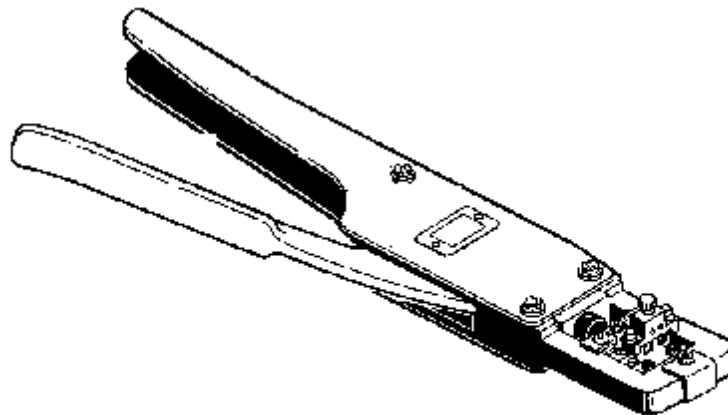


HT49
Handpistol for maxi PV
18 – 20 AWG
User's Guide



www.foehrenbach.be

Crimping Instructions

To Load Terminal:

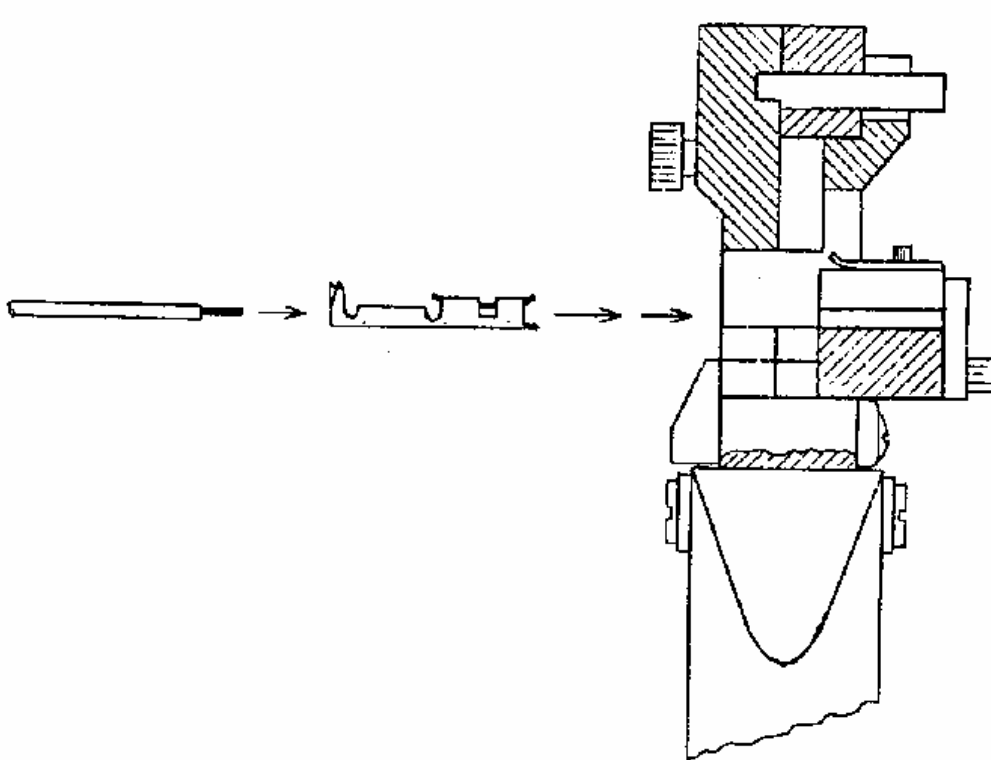
1. With "U" shape of terminal facing up, insert into terminal holder until terminal comes into contact with terminal stop.

To Load Wire:

1. With wire having the insulation stripped away to the proper length, insert to the proper depth.

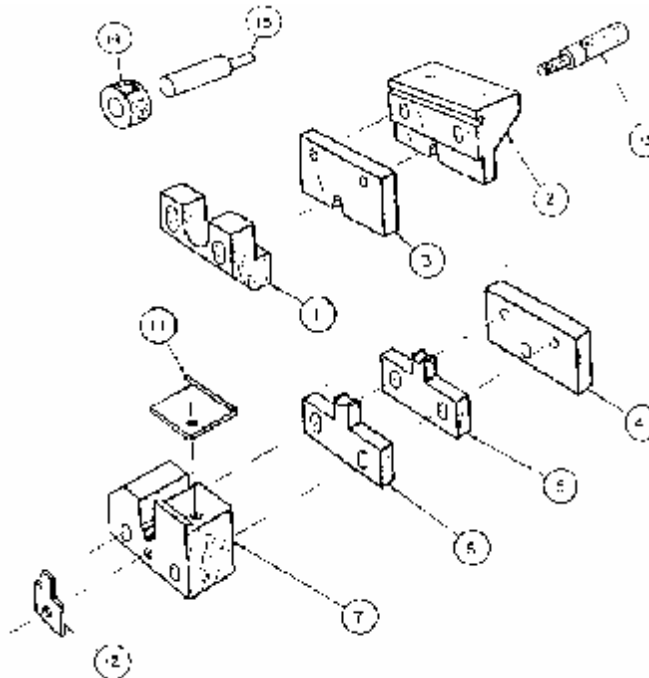
To Crimp:

1. Crimp by holding wire and closing hand tool.



HT-49 – Wire Size 18 – 20

Detail No.	Description	Part No.
1	Hand tool Crimper Holder	A105614-1
2	Insulation Support Crimper	A-1113-8
3	Wire Barrel Crimper	A-105615-1
4	Hand tool Anvil Holder	A-858-4
5	Insulation Support Anvil	A-1114-7
6	Wire Barrel Anvil	A-105616-1
7	Terminal Holder	A-1175
8	Adjustable Tool Holder	A-856-1 Not Shown
9	Name Tag	A-810-1 Not Shown
11	Spring	A-1174
12	Stop Plate	A-1176
13	Lock Screw	A-1117-2
14	Knob	A-1170
15	Cam	A-1169



The technical data in this publication has been carefully checked and assembled. No liability from inaccuracies or errors is assumed. The right to change or improve this document without notice is reserved.