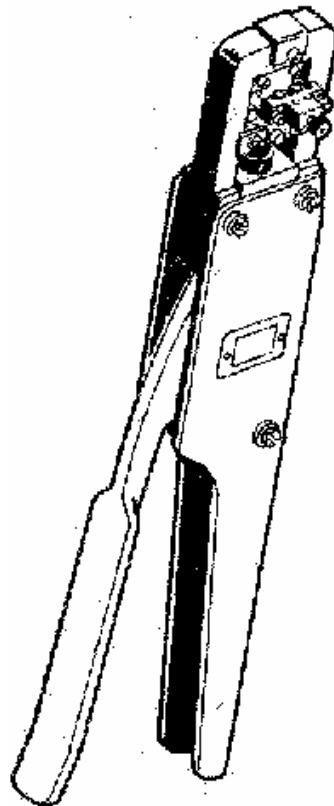


# HT94

## Hand Crimp Tool for Stackable Mini-PV AWG 22-26 / 28-32

### User's Guide



[www.foehrenbach.be](http://www.foehrenbach.be)

## CONTENTS

1. DESCRIPTION .....	3
2. OPERATING INSTRUCTIONS .....	3
3. MAINTENANCE .....	4
4. PART LIST .....	4
5. CONTACT .....	5

## 1. DESCRIPTION

The handtool HT 94 is designed to form Mini-PV terminals into stackables in the wire range AWG 22-26 and AWG 28-32.

## 2. OPERATING INSTRUCTIONS

1. Insert terminal into terminal holder block (Fig.1).

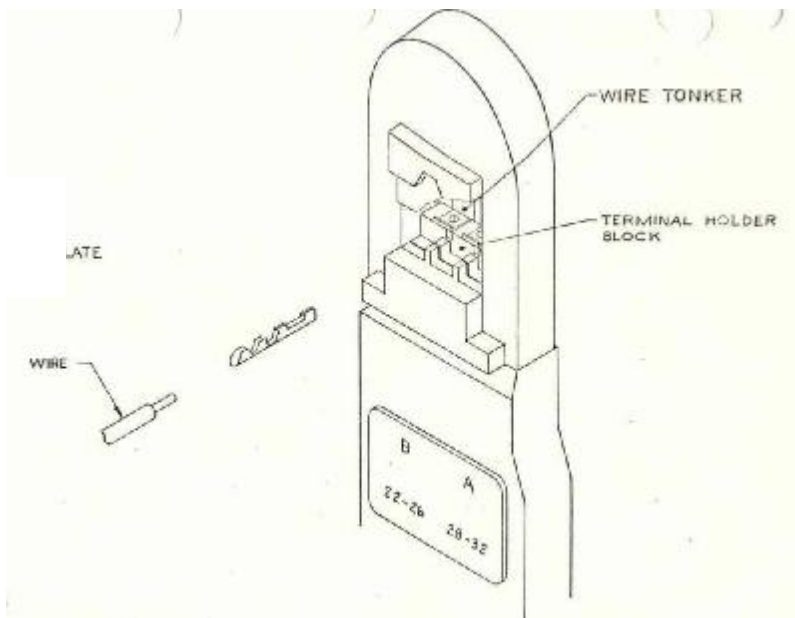


Fig. 1

Until the terminal meets the stop plate (Fig. 2).

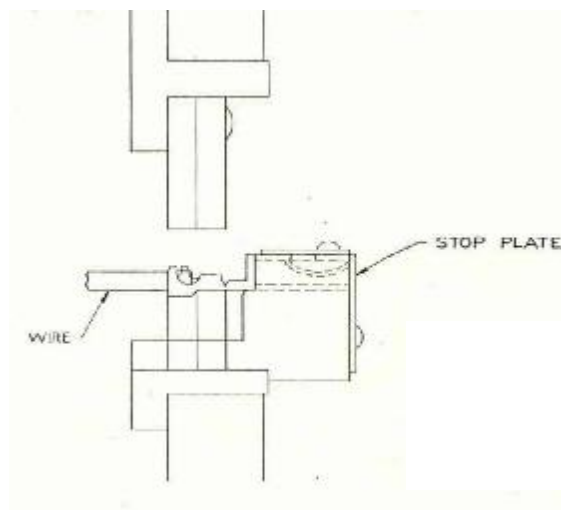


Fig. 2

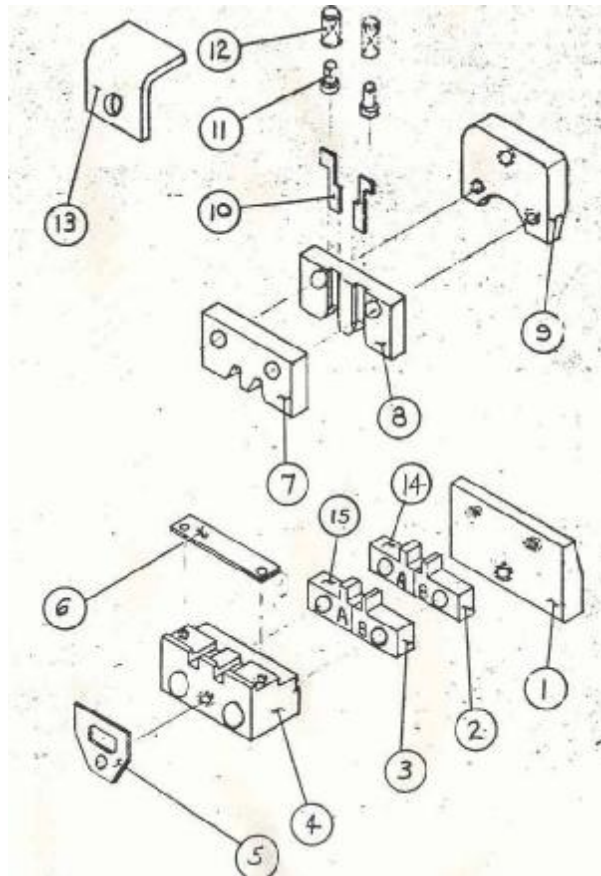
Terminal with barrel size for 22-26 wire placed in side 'B' (Ref. 47715)  
Terminal with barrel size for 28-32 wire placed in side 'A' (Ref. 47705)

2. Place wire into barrel of terminal as shown in Fig. 2.
3. Crimp by closing the handtool.
4. Wire tonkers can also be used for wire stops by placing stripped end of insulation against tonker instead of in barrel of terminal.

### 3. MAINTENANCE

- Regular checks must be made for possible gold or tin build-up on the crimper and the anvil.
- If necessary, these parts may be carefully cleaned.
- Damaged parts must be replaced immediately. For part numbers, see EPL list.

### 4. PARTS



## Epl list

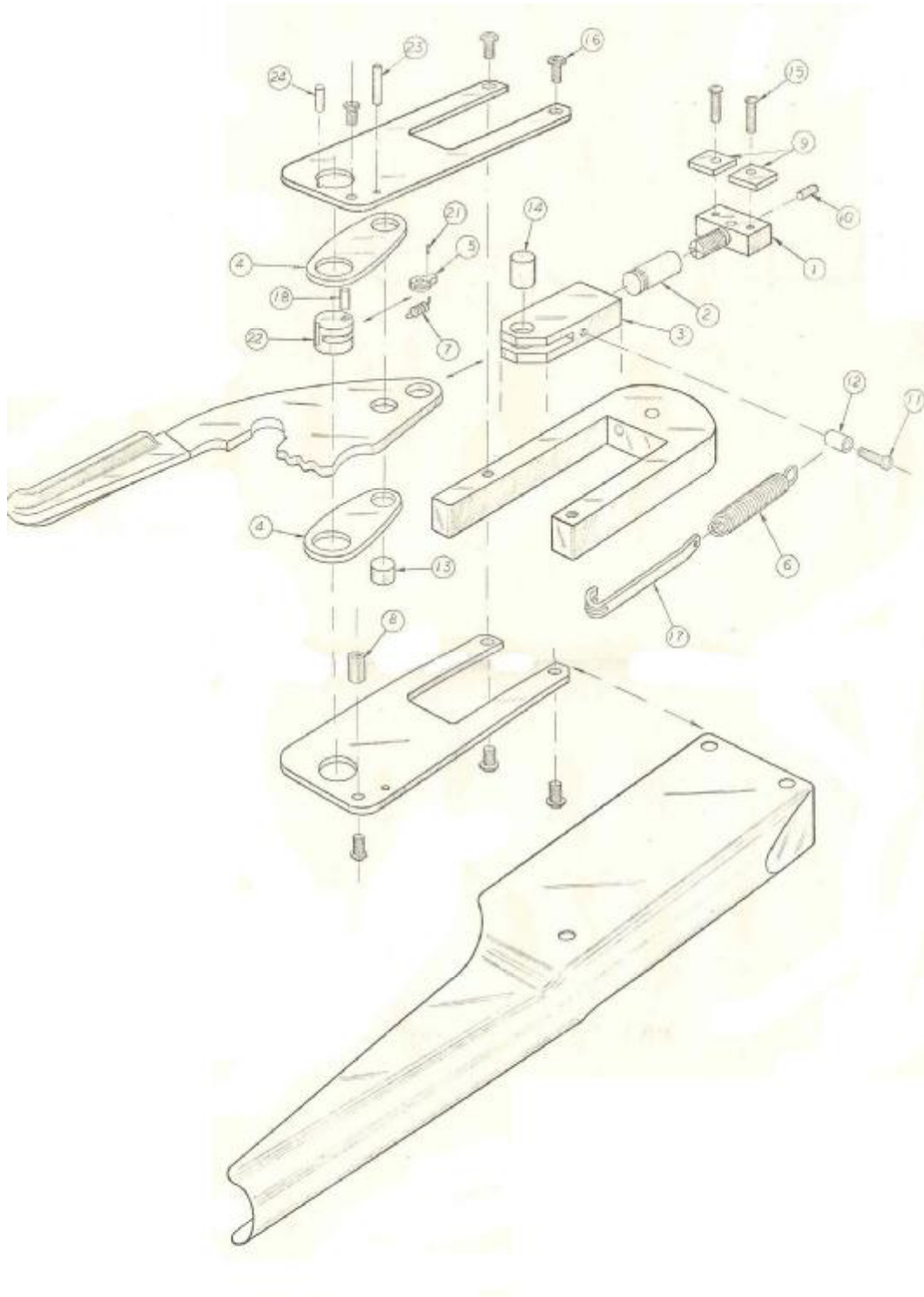
item no	part No	Description	qty per ass'y
1	A-858-4	Handtool anvil holder	1
2	104914-001	Insulation support anvil	1
3	104915-1	Wire barrel anvil	1
4	104913-1	Terminal Holder	1
5	A-1176	Stop plate	1
6	104911-1	Cover	1
7	104916-1	Wire barrel crimper	1
8	104912-1	Insulation support crimper	1
9	A-857-5	Handtool crimper holder	1
10	A-1156-1	Tonker	2
11	A-1155	Spring Guide	2
12	A-1153	Tonker spring	2
13	A-1157-1	Spring retainer	1
14	104914-002	Insulation support anvil	1
15	104915-002	Wire barrel anvil	1

## 5. CONTACT

Föhrenbach Application Tooling N.V.  
 Krijgsbaan 128  
 2640 Mortsel  
 Belgium

E-mail : [application.tooling@foehrenbach.be](mailto:application.tooling@foehrenbach.be)

[www.foehrenbach.be](http://www.foehrenbach.be)



The technical data in this publication has been carefully checked and assembled. No liability from inaccuracies or errors is assumed. The right to change or improve this document without notice is reserved.